



# DEUTSCH

## AUTOSPORT

### AS Micro Xtra<sup>Lite</sup> HE

Following the Micro UltraLite HE connector range, Deutsch UK have introduced a new evolution of Motorsport Micro connectors - the AS Micro XtraLite HE. The smallest diameter, lightest AS connector, this new connector offers a solution where space is at it's most restrictive.



#### Features

- Ultra Compact Design (Size 2 shell)
- 3 Size #22 contacts
- Positive Locking Coupling Mechanism
- Conductive Black Zinc Finish
- Interfacial Wire Sealing
- High Conductivity Crimp Type Solid Contacts
- Boot Termination Feature
- Ultra Light Weight
- Gold-Plated crimp contacts
- 6 Keyway orientations
- Scoop proof interface
- PCB option

#### Benefits

- Minimum Space Envelope
- 23% lighter than ASU
- 18% small across coupling ring than ASU
- No need for Backshells for Boot Termination
- Visual indication of Keyway Orientation of Connector
- Suitable for Blind Mating
- Integral Environmental Wire Seal
- Suitable for sensor applications
- Front loaded insert to prevent retention failure
- Bonded and sealed insert to prevent moisture ingress

#### General Specification

##### Materials:

**Shell/Coupling ring:** High Strength Aluminium alloy Black Zinc Finish

**Contacts:** Copper alloy Gold plated

**Insulators:** Thermoplastic

**Interface /Wire seals:** Fluorinated Silicone

**Dielectric Withstanding Voltage:** Current leakage less than 2 milliamps at 1500 VAC.

**Temperature:** Operating at temperatures from -55°C to +170°C\*.

**Durability:** No electrical or mechanical defects after 500 cycles of engagement or disengagement.

##### Contact Current Rating:

Contact Size #22 Max. Current 5 amps

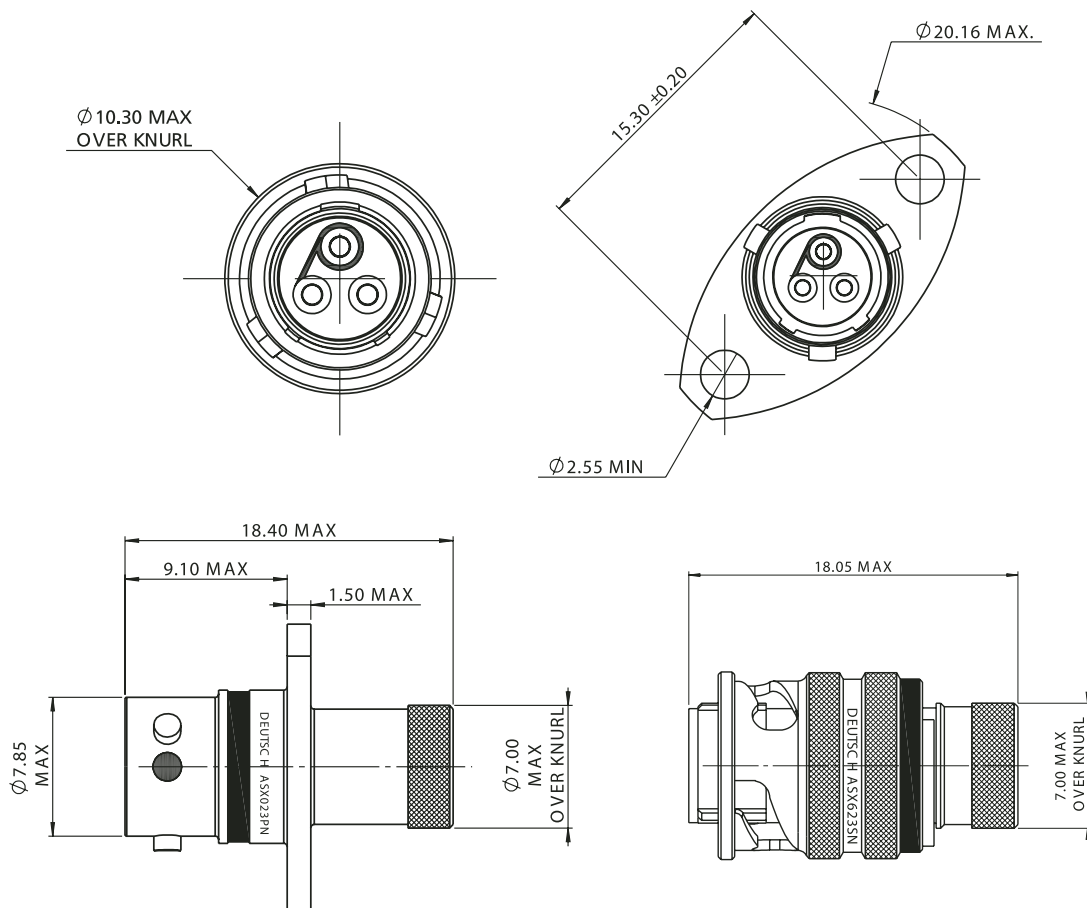
**Water Immersion:** IP67 rating - 1 metre for 30 mins minimum

**Wire Sealing:** Connector rear sealing grommets are designed to seal on wires having overall insulation diameters within the following range:

Min. (mm): 0.76 Max. (mm): 1.37

\* The upper limit is the maximum internal hot-spot temperature resulting from the combination of the ambient temperature and heating due to current. Contact Deutsch for more detail of specific products to meet your sealed electrical connection requirements.

Boot Information		
	Straight	90 degree
Raychem	204W221-25-G03	224W221-25-G03
Hellermann	1037-4-G	1182-4-G



## Ordering Information

	ASX	*	02	—	**	*	*	**	**
<b>Range Ref:</b>	----- ----- ----- ----- ----- ----- ----- ----- -----								
<b>Style:</b>	----- ----- ----- ----- ----- ----- ----- ----- -----								
0 = 2 Hole Flange Receptacle									
1 = Inline Receptacle									
2 = 2 Hole Flange Receptacle with PCB contacts									
6 = Free Plug									
<b>Shell Size:</b>	----- ----- ----- ----- ----- ----- ----- ----- -----								
<b>Contact Arrangement:</b>	----- ----- ----- ----- ----- ----- ----- ----- -----								
03									
<b>Insert Type:</b>	----- ----- ----- ----- ----- ----- ----- ----- -----								
P = Pin									
S = Socket									
<b>Shell Keyways:</b>	----- ----- ----- ----- ----- ----- ----- ----- -----								
N = Red (standard)									
A = Yellow									
B = Blue									
C = Orange									
D = Green									
E = Grey									
U = Violet									
(U = Universal for test harnesses)									
(Plug type 6 only)									
<b>Modification Code:</b>	----- ----- ----- ----- ----- ----- ----- ----- -----								

For more information, technical assistance or custom solutions email [autosport@deutsch.net](mailto:autosport@deutsch.net) [www.deutsch.net](http://www.deutsch.net)  
 Stanier Road, St Leonards on Sea, East Sussex TN38 9RF UK Telephone +44 (0) 1424 852722 Fax +44 (0) 1424 855979  
 Subject to change without prior notification ©2009 Deutsch UK Literature Code AS DD